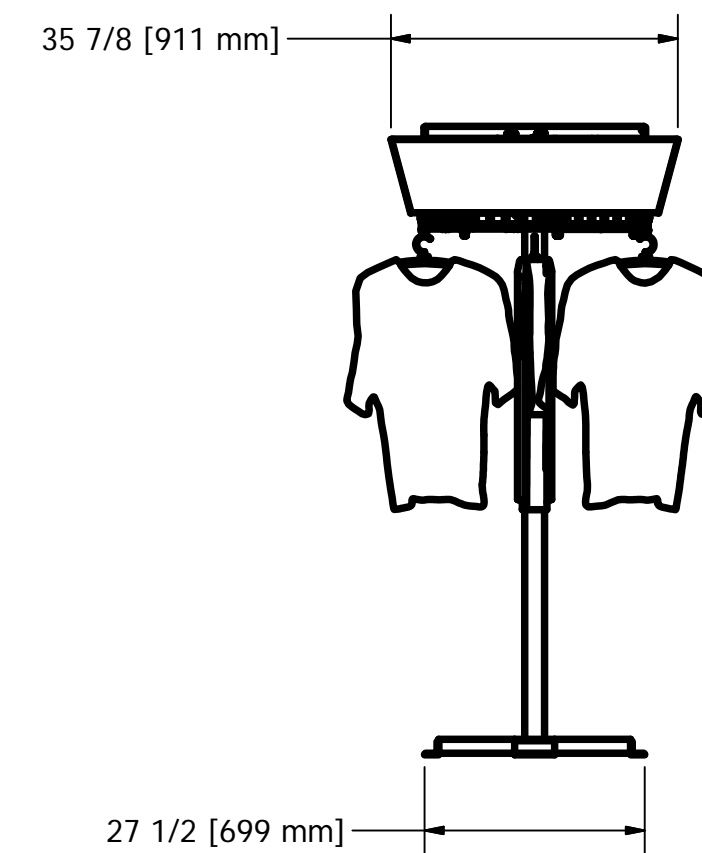
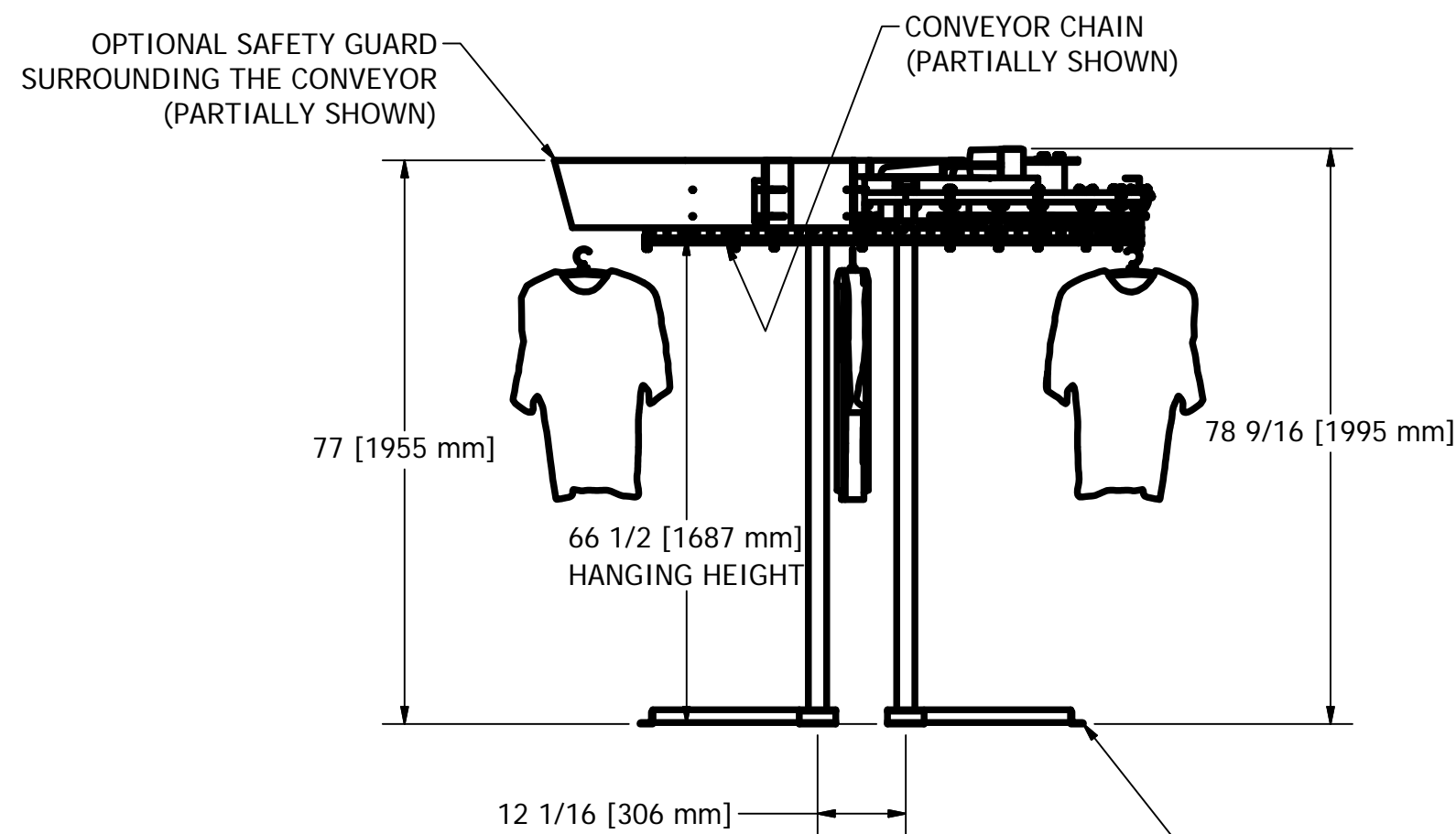
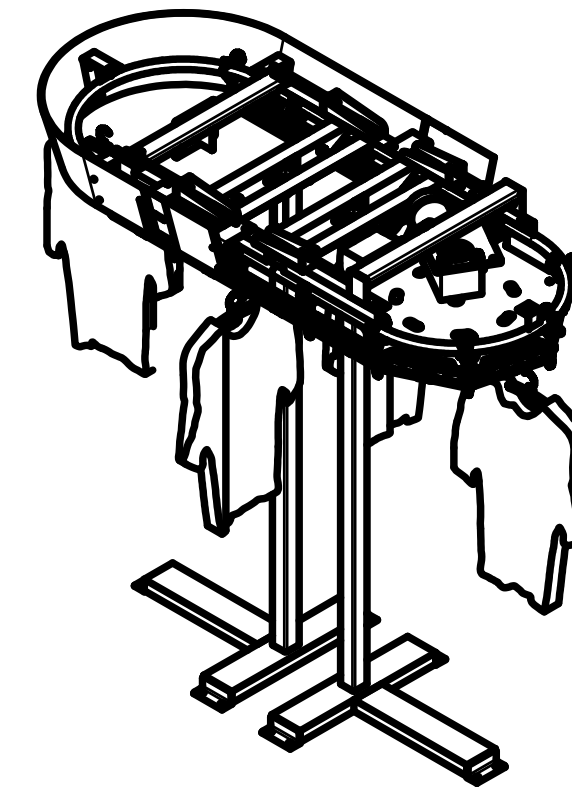
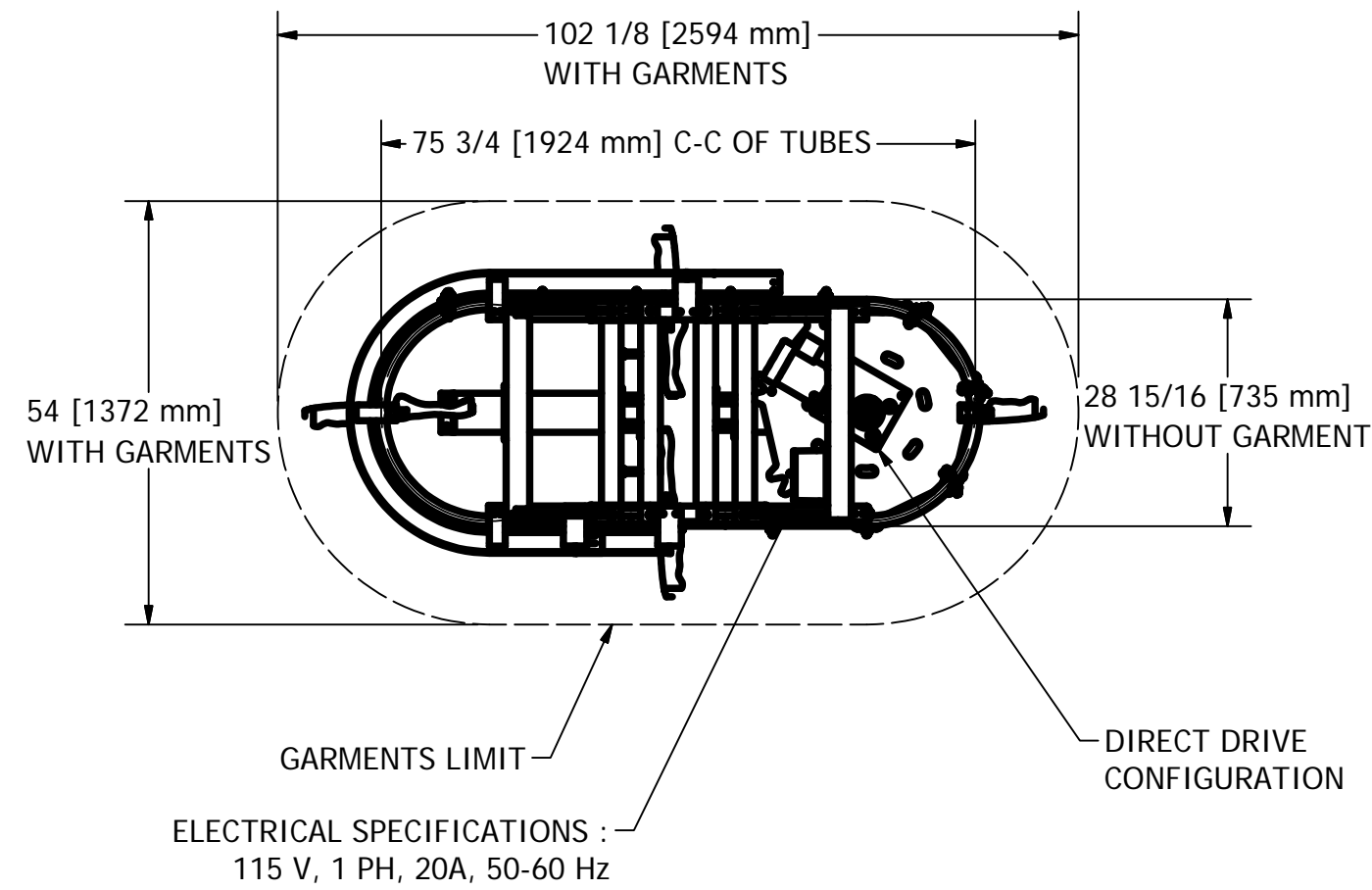


GENERAL NOTES :

CONVEYOR WEIGHT : 287 LB (without garment)

APPROX. STORAGE CAPACITY : 180 GARMENTS



3/8" X 3-3/4" CONCRETE WEDGE ANCHORS REQUIRED (HILTI KB3 OR UCAN WED OR EQUIVALENT), 2-1/2" MINIMUM EMBEDMENT, TYP.

DESIGN F. ROULEAU	DATE 8/21/2008	 www.planiform.com TITLE GARMENT CONVEYOR			
DRAWN S. ROUS.-L.	DATE 1/12/2010				
CHECKED	DATE				
GENERAL TOLERANCES		SIZE C	DWG NO NPF-150	SCALE 1/2" = 1'-0"	REV
X	+/- .030				
.XX	+/- .010				
.XXX	+/- .005				
FRACTION	+/- 1/16				