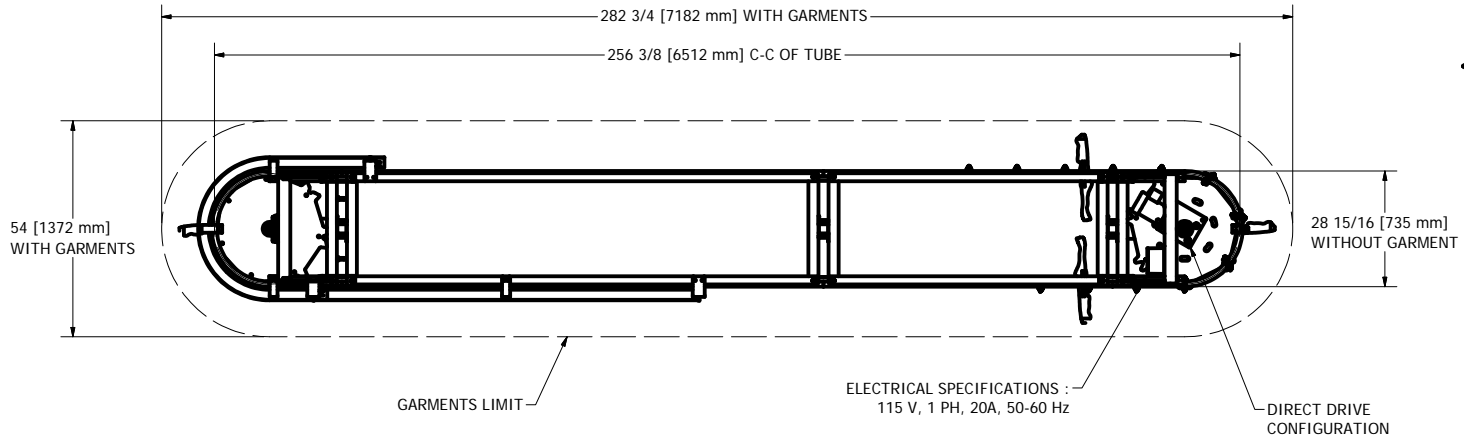
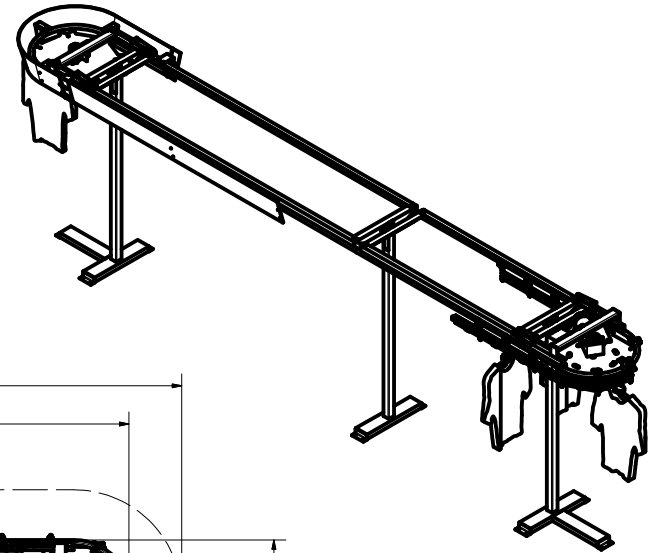


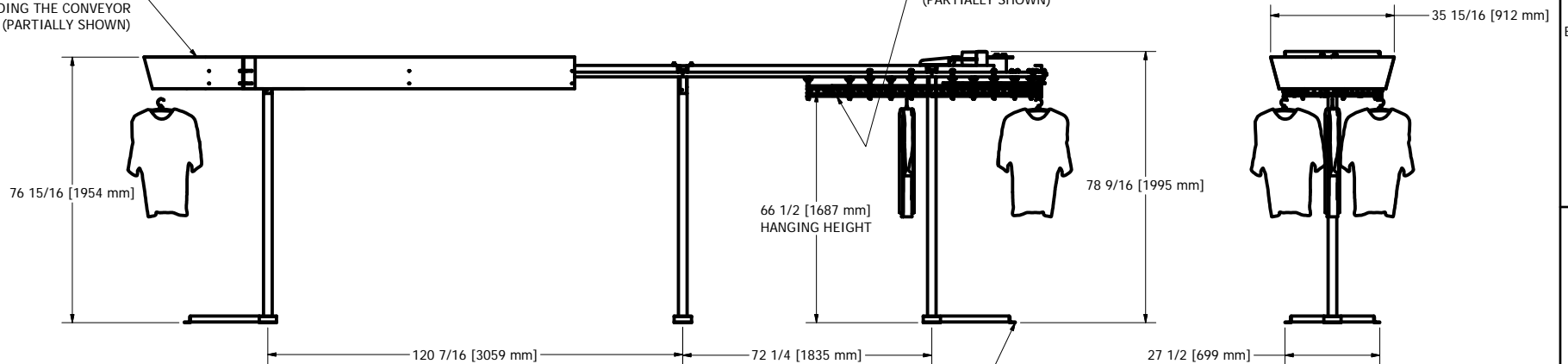
GENERAL NOTES :

CONVEYOR WEIGHT : 555 LB (without garment)
 APPROX. STORAGE CAPACITY : 540 GARMENTS



OPTIONAL SAFETY GUARD
 SURROUNDING THE CONVEYOR
 (PARTIALLY SHOWN)

CONVEYOR CHAIN
 (PARTIALLY SHOWN)



3/8" X 3-3/4 CONCRETE WEDGE ANCHORS REQUIRED
 (HILTI KB3 OR UCAN WED OR EQUIVALENT),
 2-1/2" MINIMUM EMBEDMENT,
 TYP.

DESIGN	DATE
F. ROULEAU	2008-08-21
DRAWN	DATE
F. ROULEAU	2010-01-12
CHECKED	DATE
GENERAL TOLERANCES	
.X	+/- .030
.XX	+/- .010
.XXX	+/- .005
FRACTION	+/- 1/16

Planiform
 Conveyors

www.planiform.com

TITLE
GARMENT CONVEYOR

SIZE	DWG NO	SCALE	REV
C	NPF-450	1/2" = 1'-0"	