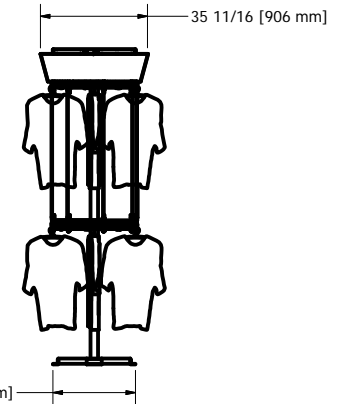
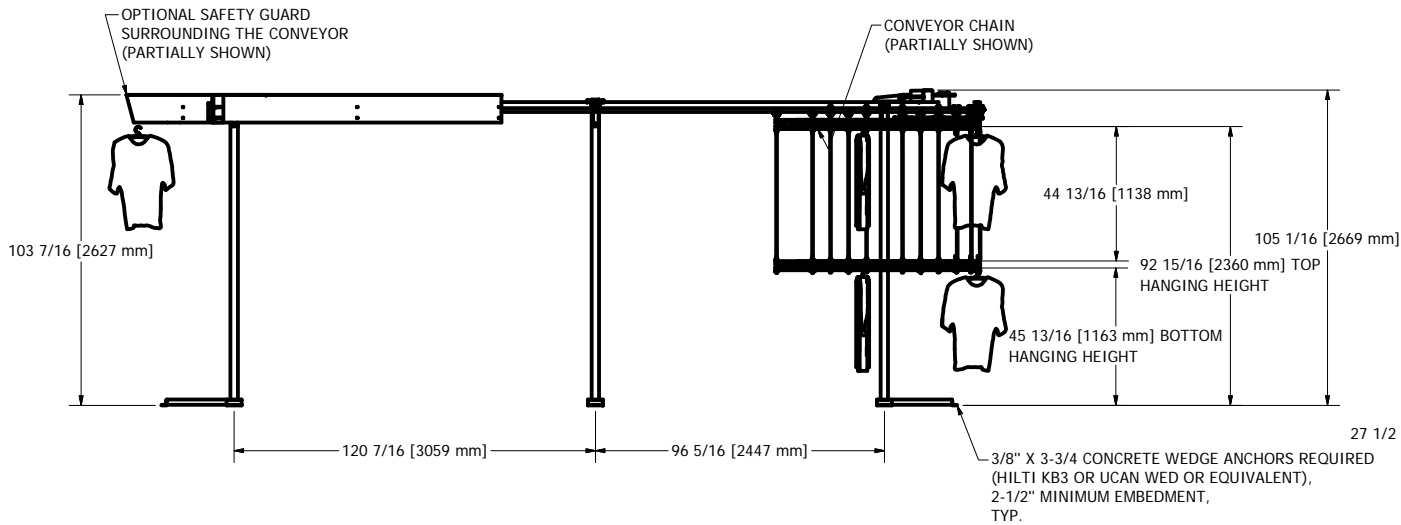
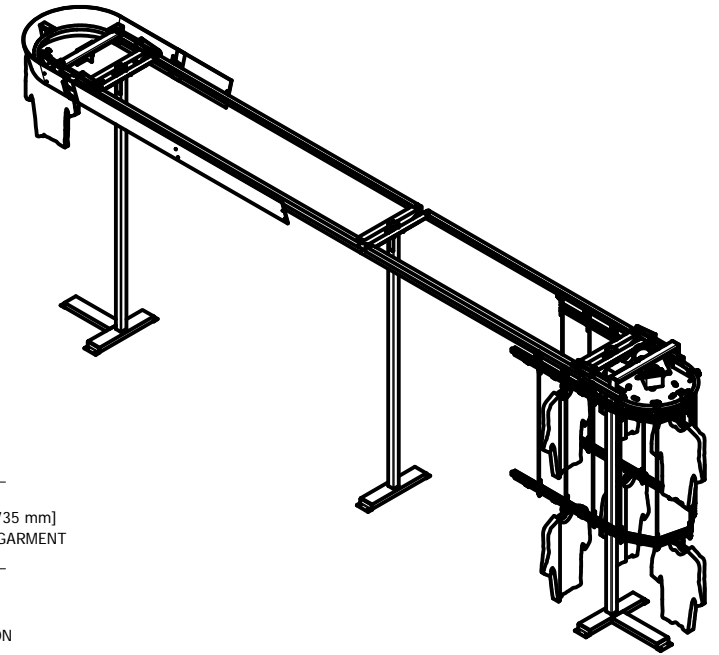
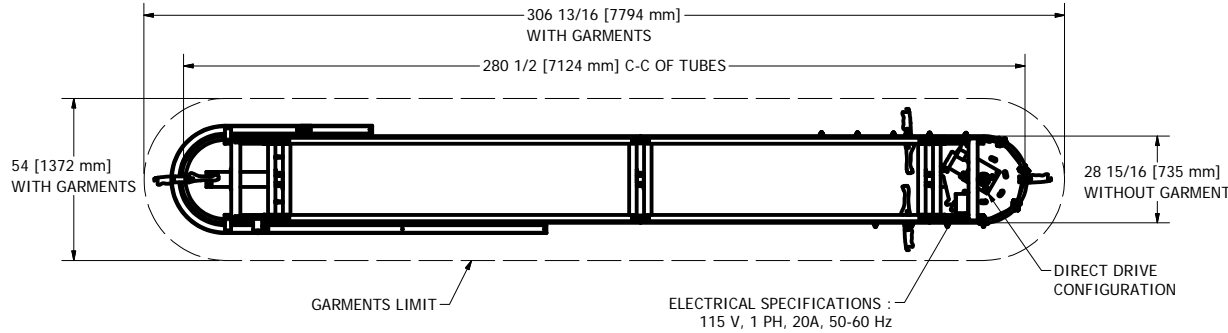


**GENERAL NOTES :**

CONVEYOR WEIGHT : 623 LB (without garment)  
 APPROX. STORAGE CAPACITY : 1176 GARMENTS  
**BRACING REQUIRED**



DESIGN F. ROULEAU	DATE 1/27/2010
DRAWN S. ROUS.-L.	DATE 1/27/2010
CHECKED	DATE
GENERAL TOLERANCES	
.X	+/- .030
.XX	+/- .010
.XXX	+/- .005
FRACTION	+/- 1/16

www.planiform.com		<b>Planiform</b> Conveyors	
TITLE GARMENT CONVEYOR			
SIZE C	DWG NO NPF-490-DD	SCALE 3/8" = 1'-0"	REV