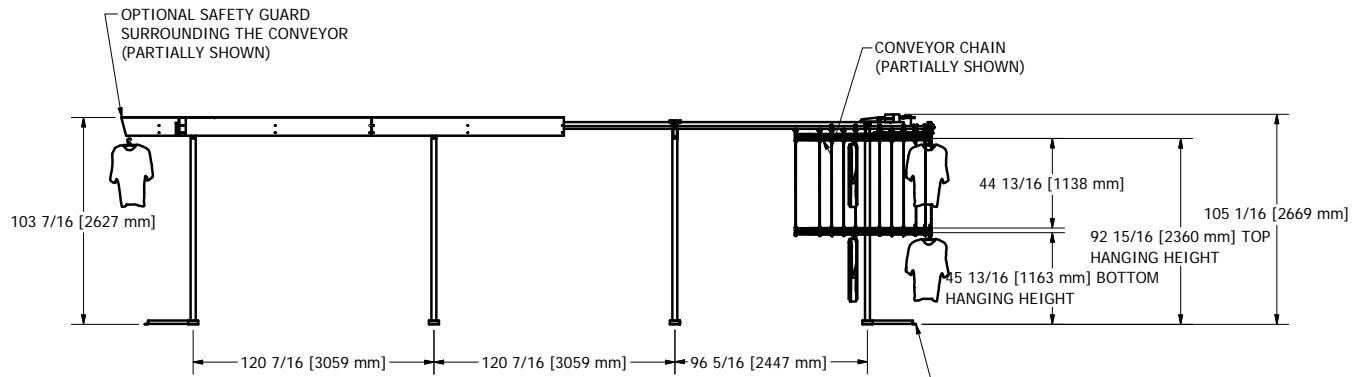
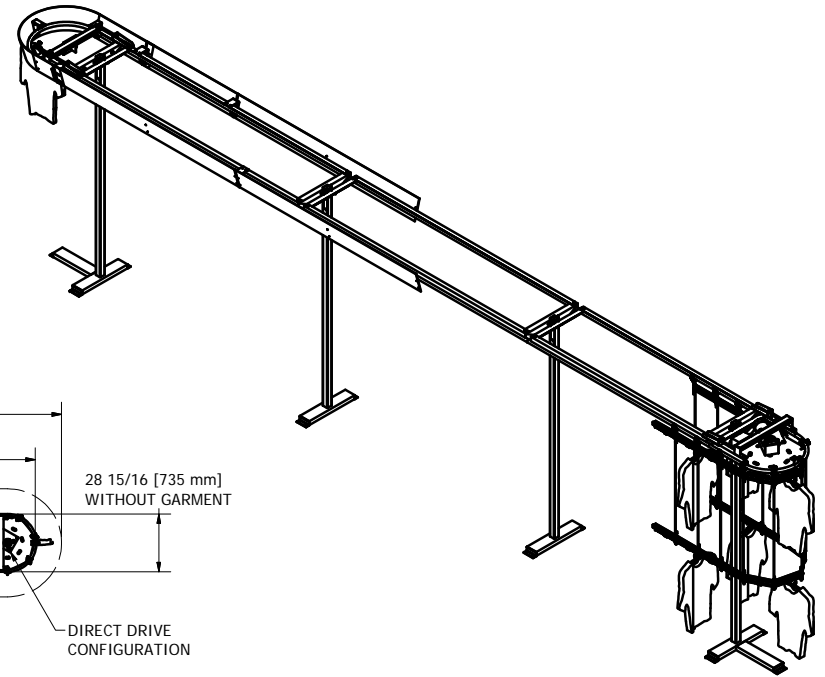
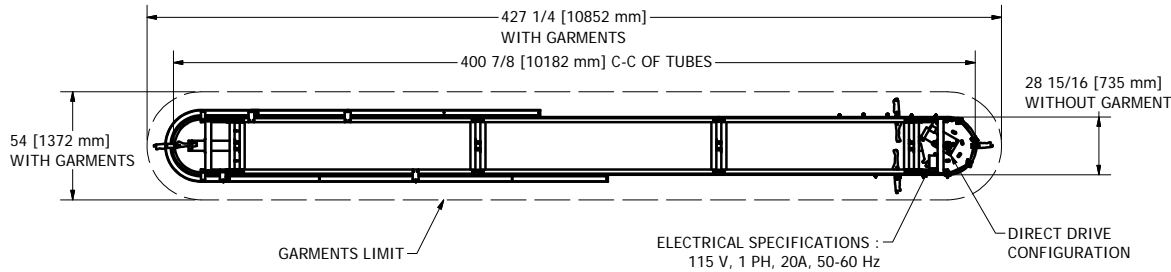


GENERAL NOTES :

CONVEYOR WEIGHT : 821 LB (without garment)
 APPROX. STORAGE CAPACITY : 1656 GARMENTS
BRACING REQUIRED



3/8" X 3-3/4 CONCRETE WEDGE ANCHORS REQUIRED (HILTI KB3 OR UCAN WED OR EQUIVALENT), 2-1/2" MINIMUM EMBEDMENT, TYP.

DESIGN F. ROULEAU	DATE 1/27/2010		
DRAWN S. ROUS.-L.	DATE 1/29/2010		
CHECKED	DATE	www.planiform.com	
GENERAL TOLERANCES		TITLE GARMENT CONVEYOR	
.X	+/- .030	SIZE DWG NO	SCALE
.XX	+/- .010	C NPF-690-DD	1/4" = 1'-0"
.XXX	+/- .005		
FRACTION	+/- 1/16		REV