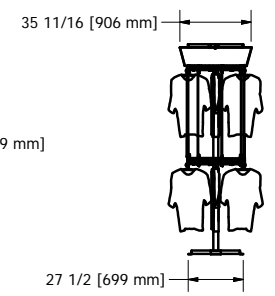
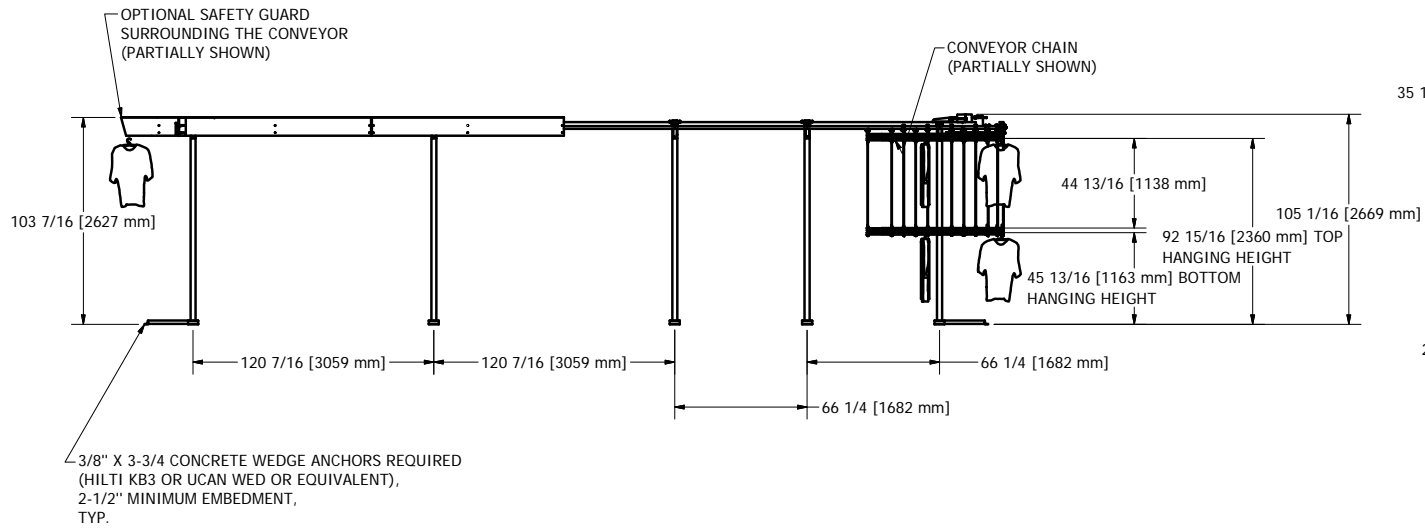
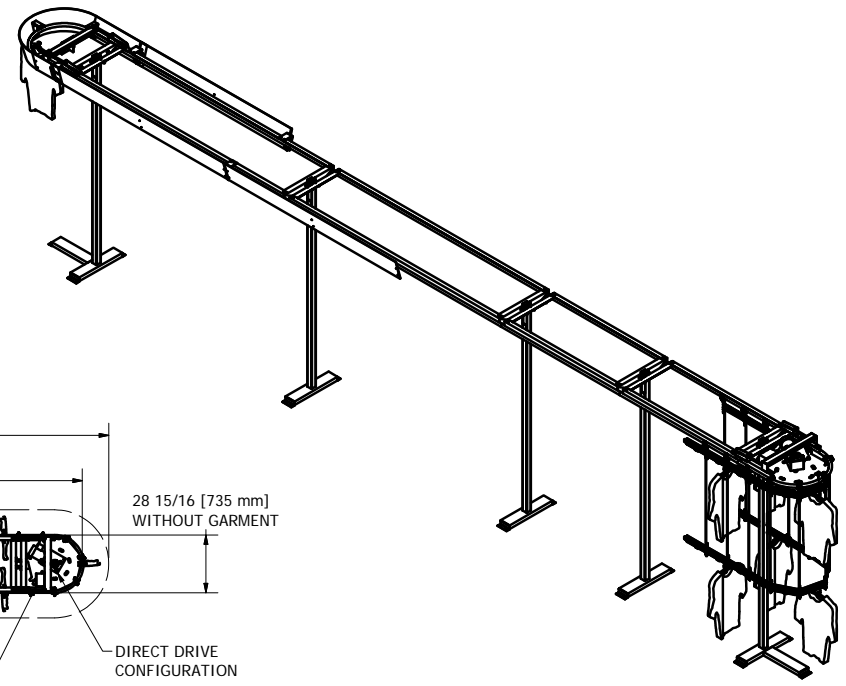
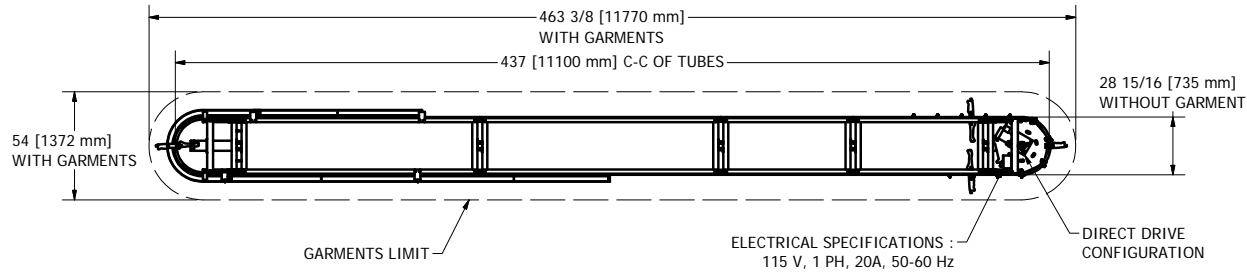


GENERAL NOTES :

CONVEYOR WEIGHT : 915 LB (without garment)
 APPROX. STORAGE CAPACITY : 1800 GARMENTS
BRACING REQUIRED



DESIGN F. ROULEAU	DATE 1/27/2010	 www.planiform.com TITLE GARMENT CONVEYOR SIZE DWG NO C NPF-750-DD SCALE 1/4" = 1'-0" REV
DRAWN S. ROUS.-L.	DATE 1/29/2010	
CHECKED	DATE	
GENERAL TOLERANCES		
.X	+/- .030	
.XX	+/- .010	
.XXX	+/- .005	
FRACTION	+/- 1/16	