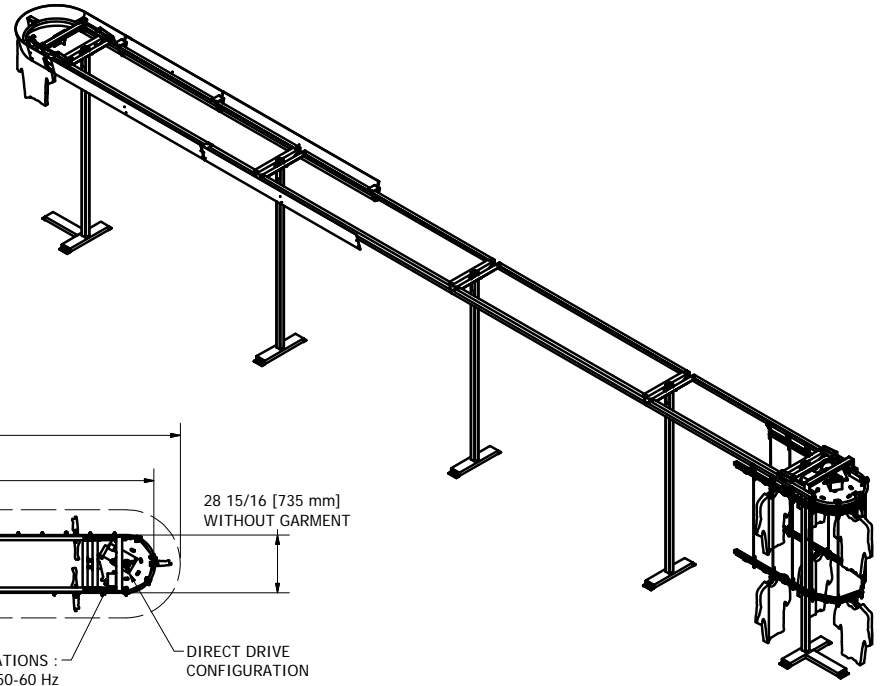
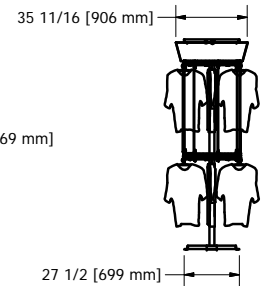
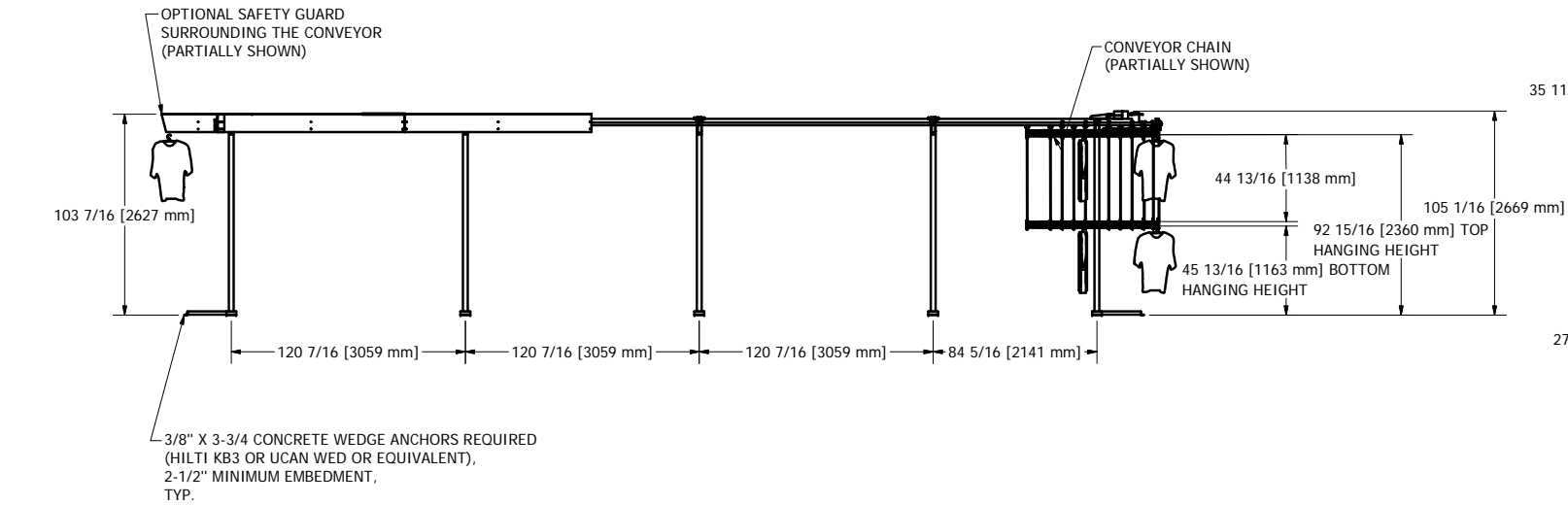
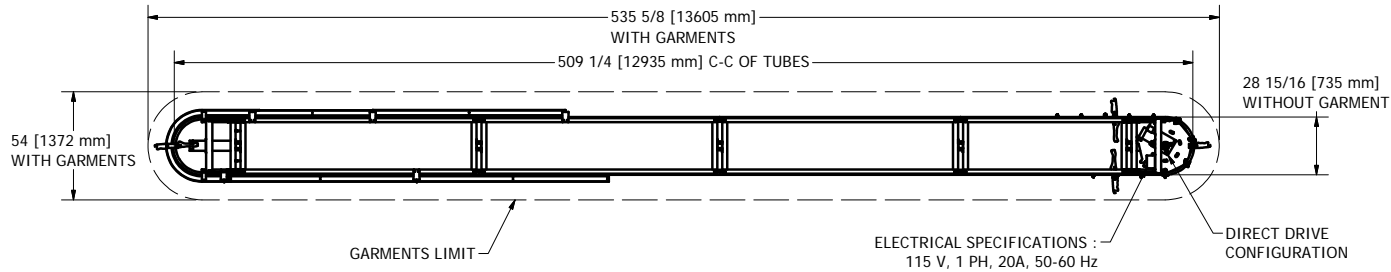


GENERAL NOTES :

CONVEYOR WEIGHT : 1003 LB (without garment)
 APPROX. STORAGE CAPACITY : 2088 GARMENTS
BRACING REQUIRED



DESIGN F. ROULEAU	DATE 1/27/2010
DRAWN S. ROUS.-L.	DATE 1/29/2010
CHECKED	DATE
GENERAL TOLERANCES	
.X	+/- .030
.XX	+/- .010
.XXX	+/- .005
FRACTION	+/- 1/16

		www.planiform.com	
		TITLE GARMENT CONVEYOR	
SIZE C	DWG NO NPF-870-DD	SCALE 1/4" = 1'-0"	REV