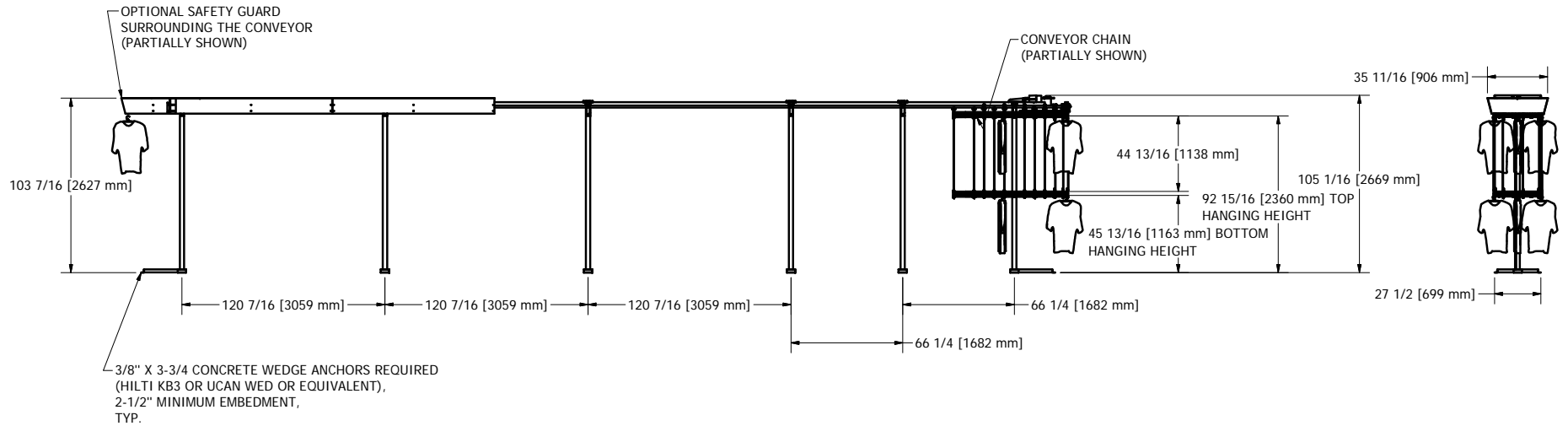
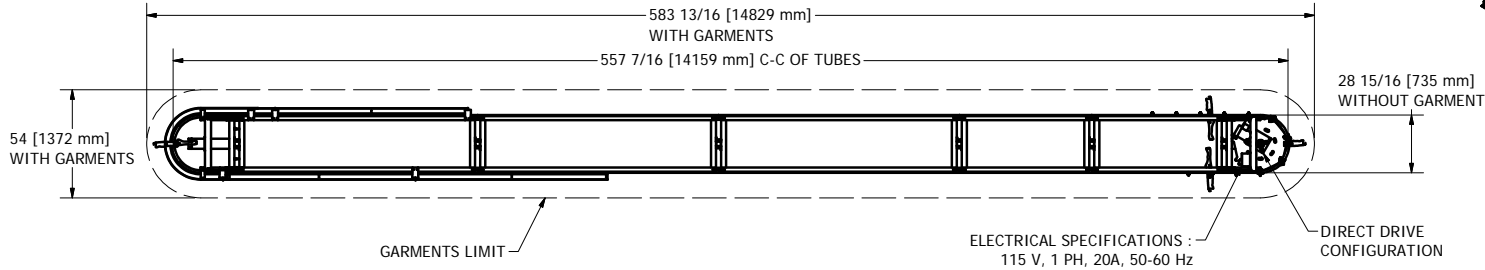
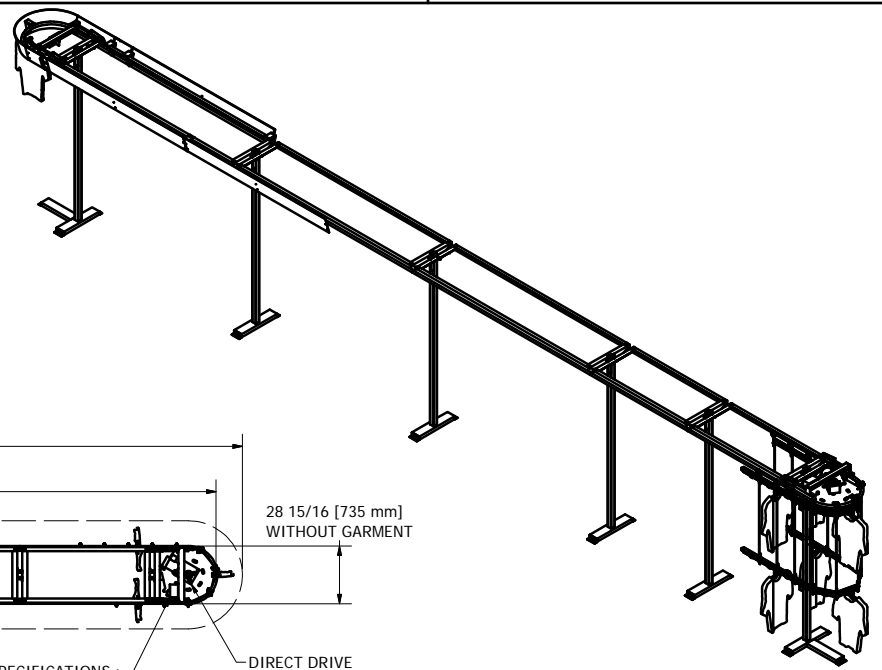


**GENERAL NOTES :**

CONVEYOR WEIGHT : 1116 LB (without garment)  
 APPROX. STORAGE CAPACITY : 2280 GARMENTS  
**BRACING REQUIRED**



DESIGN F. ROULEAU	DATE 1/27/2010	 www.planiform.com TITLE <b>GARMENT CONVEYOR</b>			
DRAWN S. ROUS.-L.	DATE 1/29/2010				
CHECKED	DATE				
GENERAL TOLERANCES		SIZE C	DWG NO NPF-950-DD	SCALE 1/4" = 1'-0"	REV
.X	+/- .030				
.XX	+/- .010				
.XXX	+/- .005				
FRACTION	+/- 1/16				